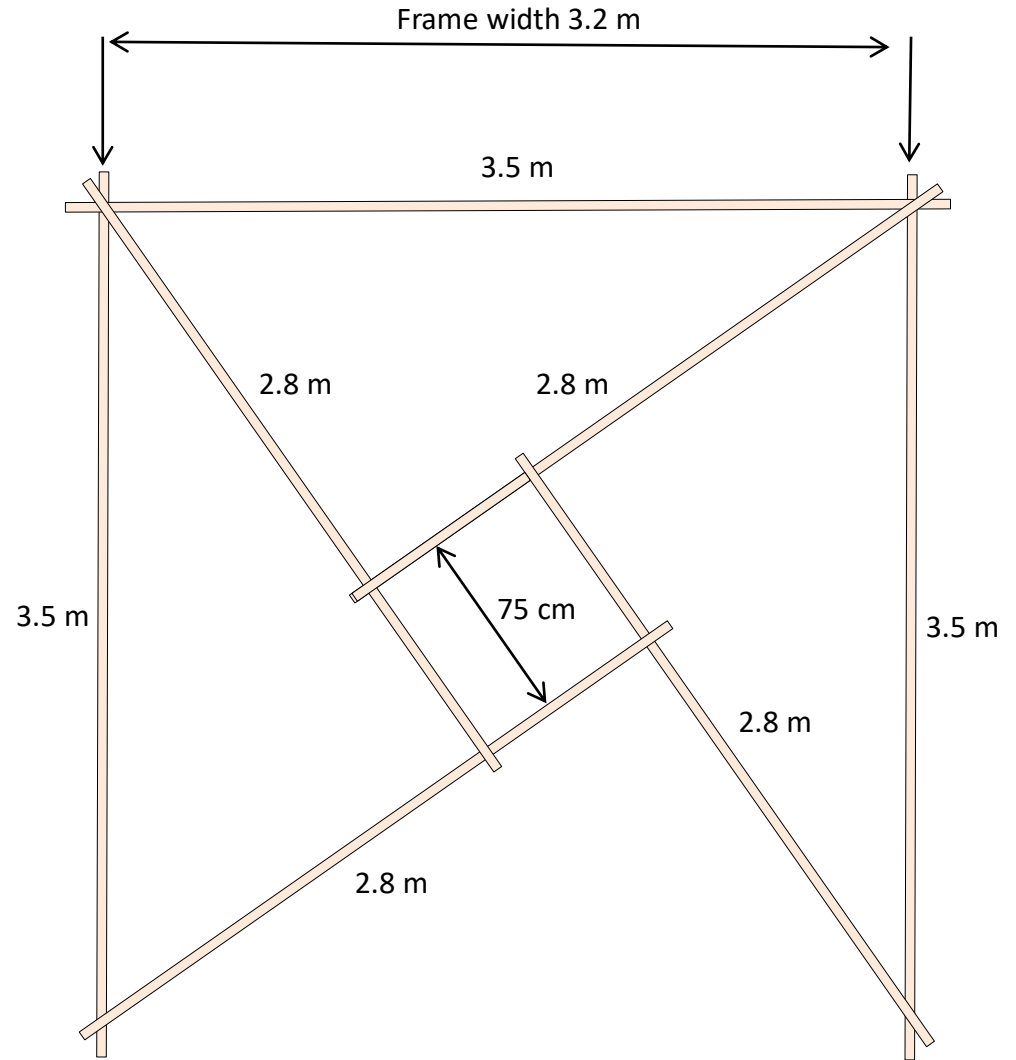


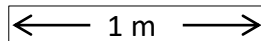
RSK EMERGENCY SHELTER
Roof frame.

Bamboo diameter frame	4.5 cm (4 to 5 cm)
Frame poles	2.8m
Side poles	3.5m
Inside centre frame	75 cm
Overlap central frame	5 cm
Frame width	3.2 m
Roof incline	35 degrees.



TOP VIEW

SCALE = 1 : 31.75



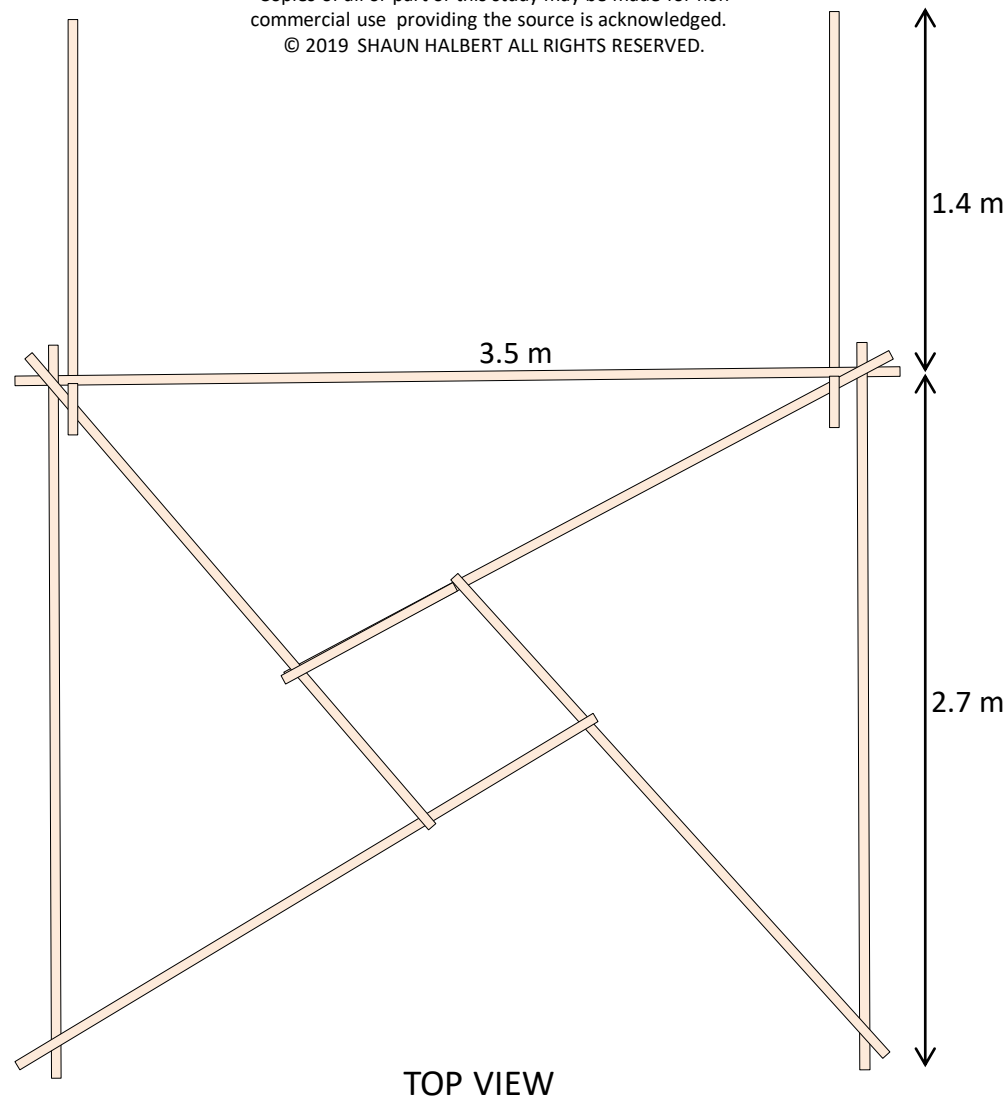
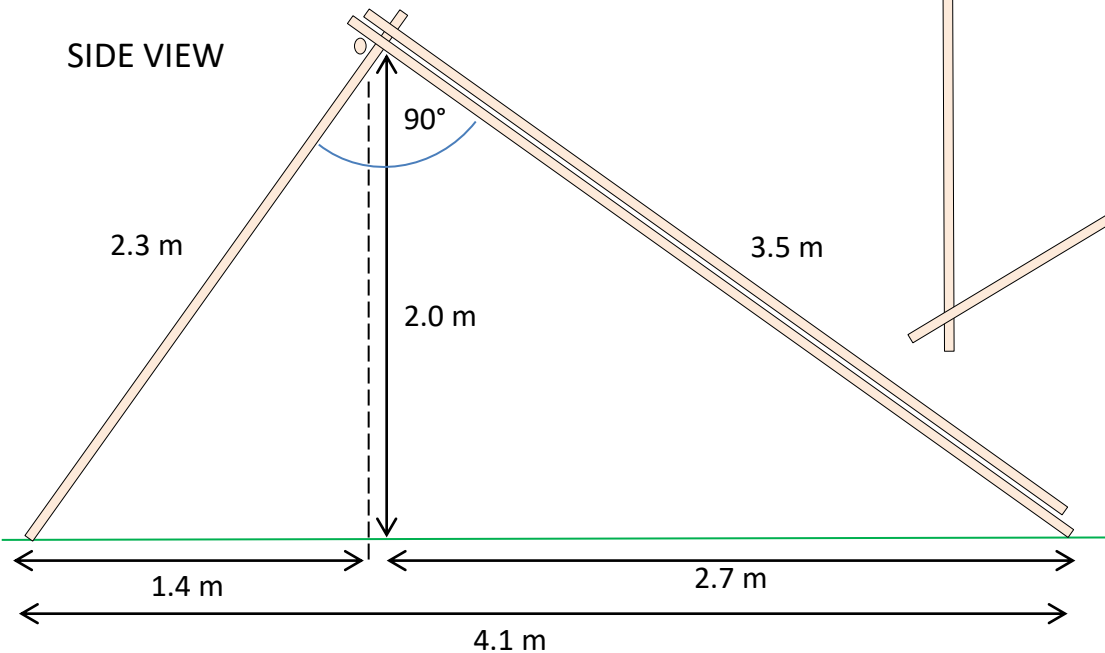
RSK EMERGENCY SHELTER

Shelter frame complete

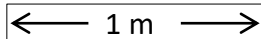
Side poles can be positioned on top or underneath the ridge pole.

Support poles	2.3 m
Support poles diameter	4.5 cm (4 to 5 cm)
Roof incline	35 degrees

Copies of all or part of this study may be made for non-commercial use providing the source is acknowledged.
© 2019 SHAUN HALBERT ALL RIGHTS RESERVED.



SCALE = 1 : 31.75



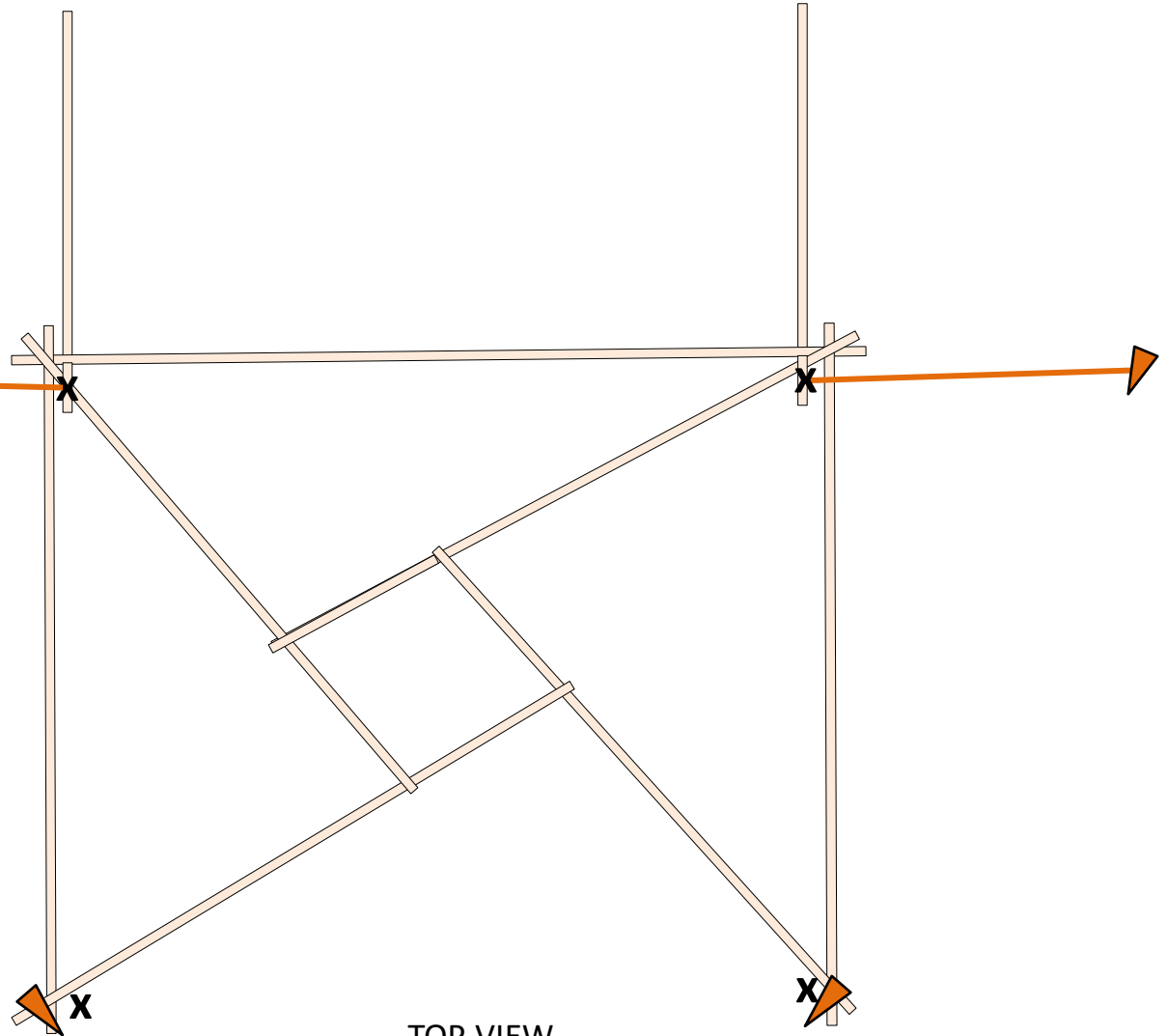
RSK EMERGENCY SHELTER

Anchor points

Support poles are positioned inside the angle made by the roof frame and ridge pole.

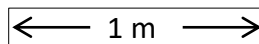
The base of the roof frame is secured to 2 wood or bamboo stakes.
Ropes are attached to the top of each support post and secured to stakes on each side of the frame.

Rope length (per shelter kit)	10 m
Rope diameter (polypropylene)	6 mm



TOP VIEW

SCALE = 1 : 31.75

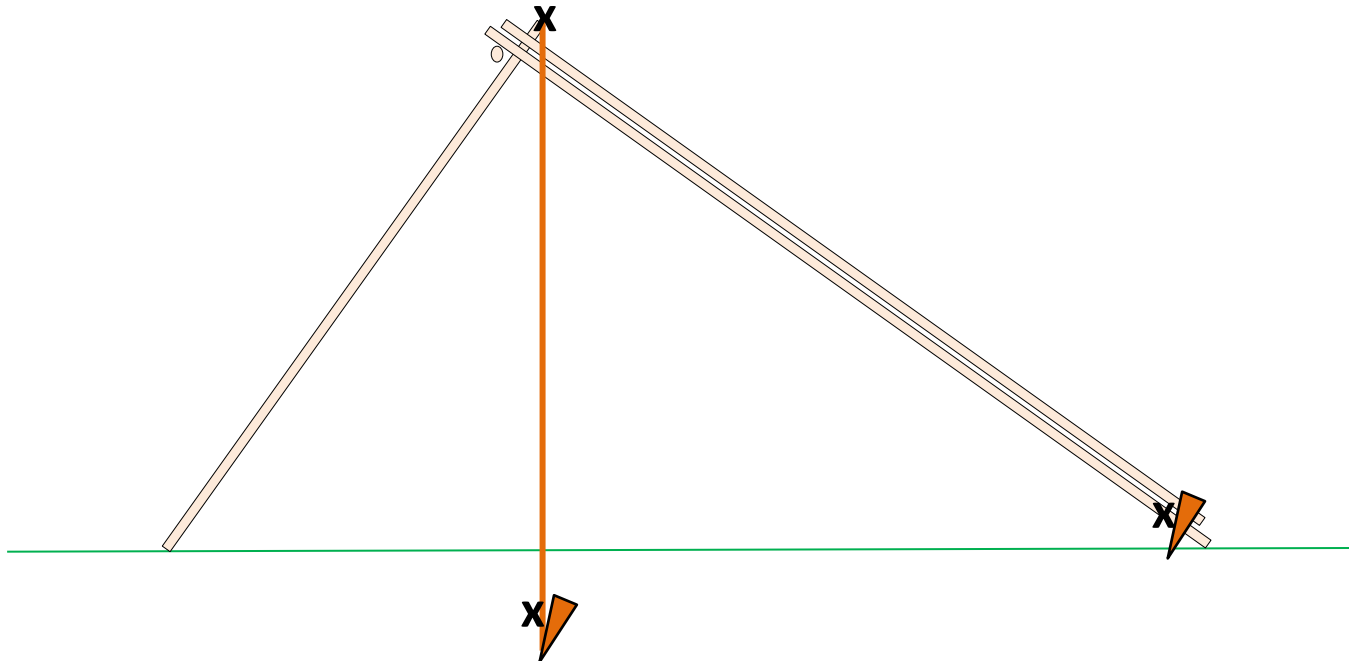


RSK EMERGENCY SHELTER

Anchor points

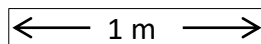
The base of the roof frame is secured to 2 wood or bamboo stakes.

Ropes are attached to the top of each support post and secured to stakes on each side of the frame.



SIDE VIEW

SCALE = 1 : 31.75



RSK EMERGENCY SHELTER

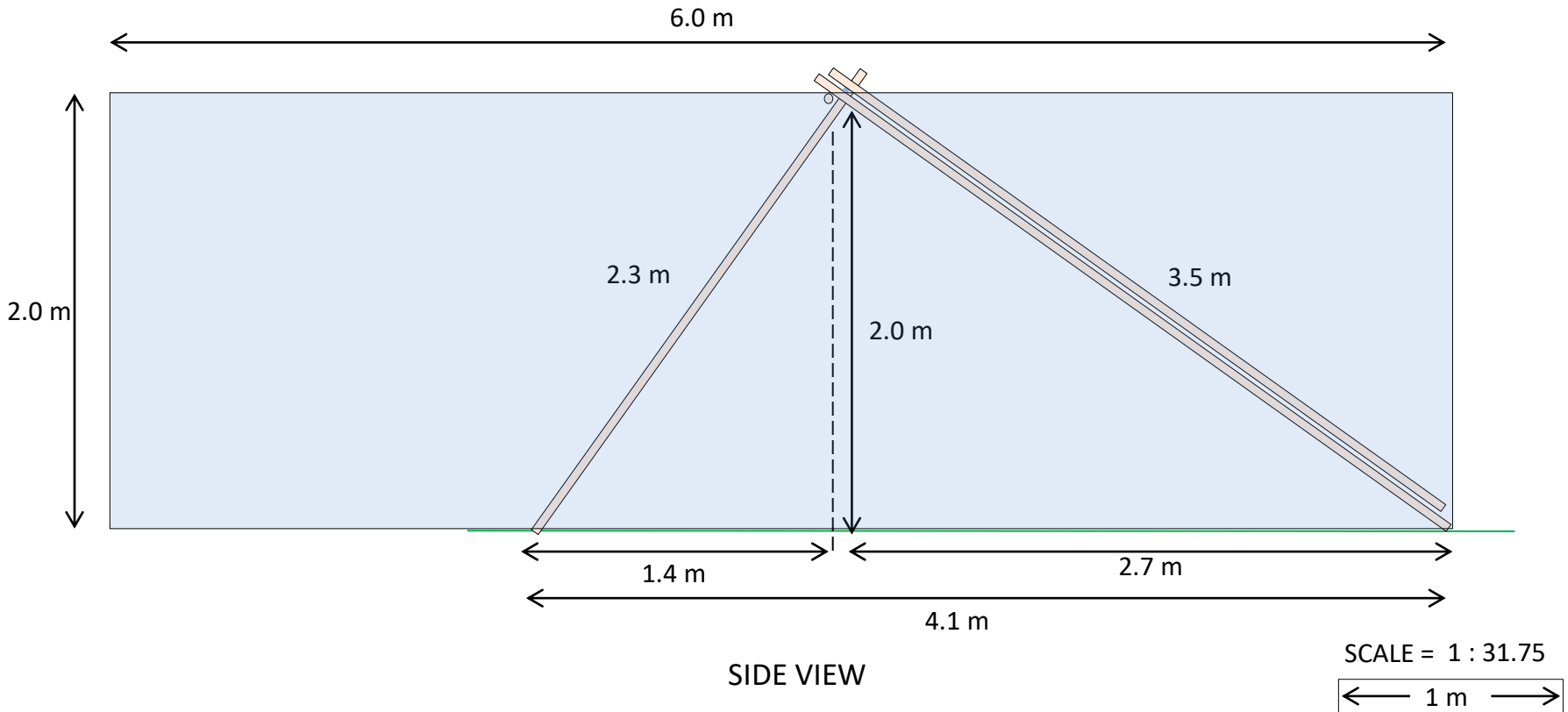
Tarpaulin attachment

The first tarpaulin is split into two lengths each 6 m x 2 m. Each length is attached along the side of the frame to make a side wall. The tarpaulin is not cut but kept in one piece so that it can be used to form the side walls when the roof frame is elevated.

Tarpaulins x2

6 m x 4 m

Copies of all or part of this study may be made for non-commercial use providing the source is acknowledged.
© 2019 SHAUN HALBERT ALL RIGHTS RESERVED.

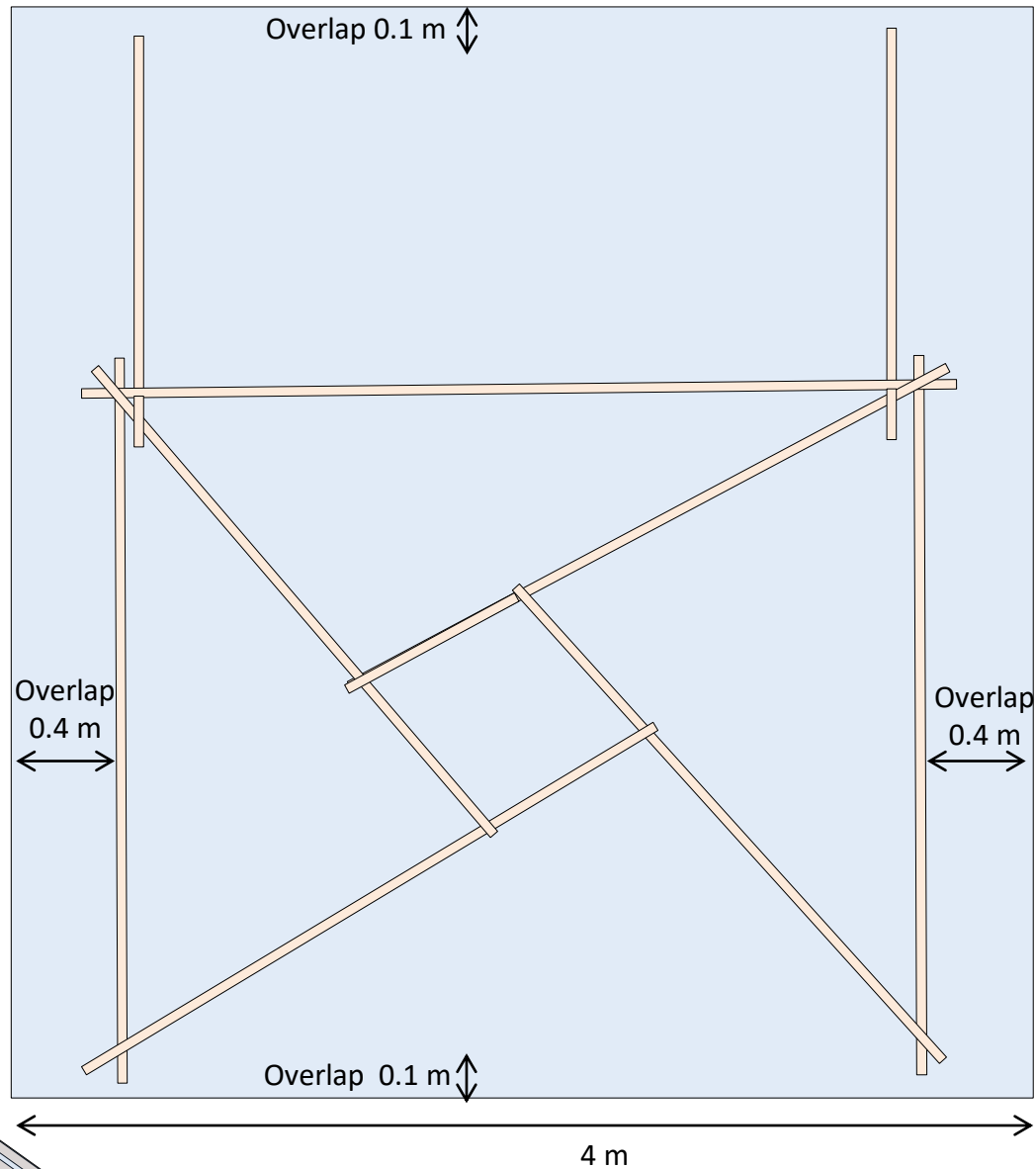


RSK EMERGENCY SHELTER
Tarpaulin attachment

The second 6 m x 4 m tarpaulin covers the top of the roof frame.

TOP VIEW

6 m

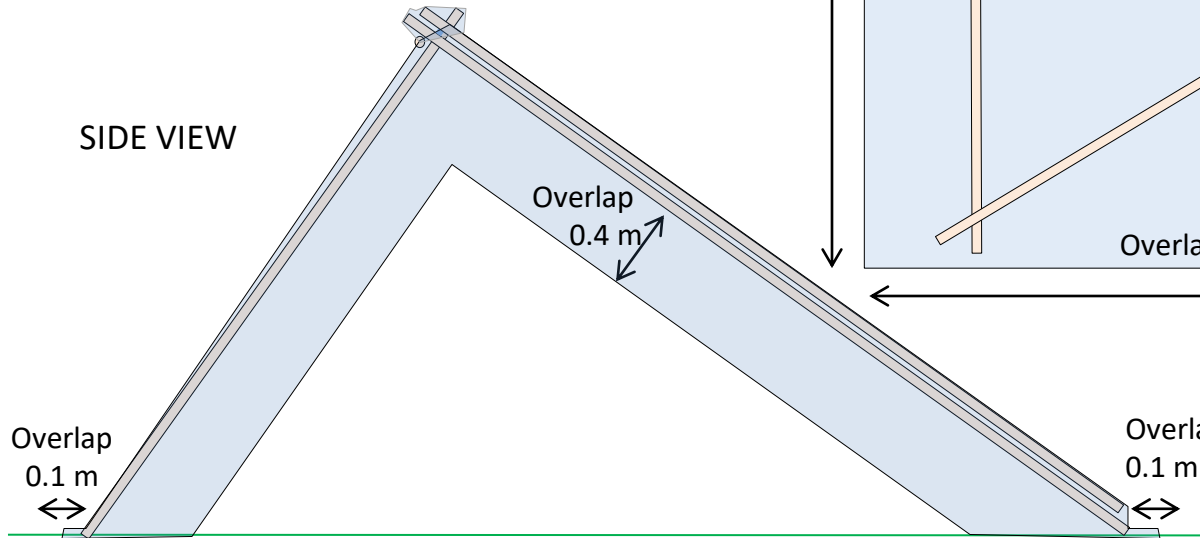


SIDE VIEW

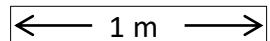
Overlap
0.4 m

Overlap
0.1 m

Overlap
0.1 m



SCALE = 1 : 31.75



RSK EMERGENCY SHELTER

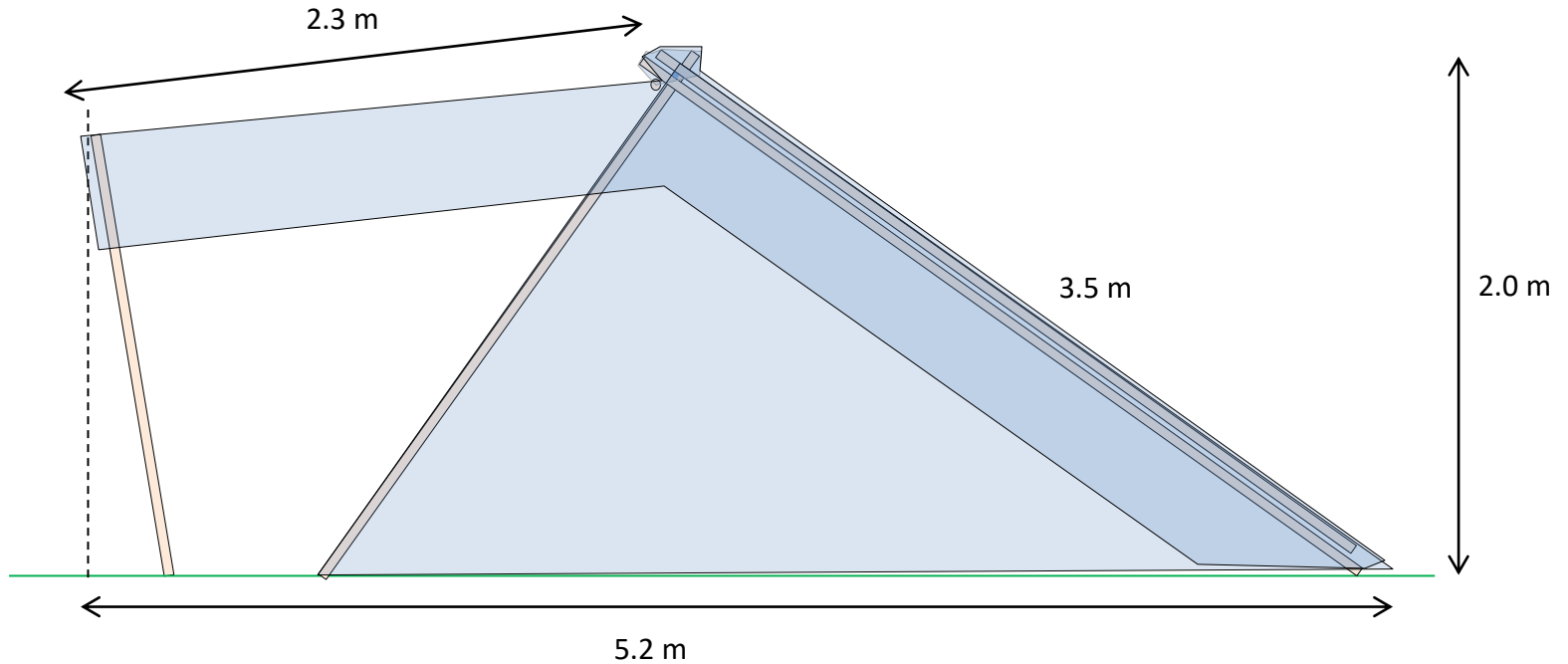
Tarpaulin attachment

Copies of all or part of this study may be made for non-commercial use providing the source is acknowledged.
© 2019 SHAUN HALBERT ALL RIGHTS RESERVED.

Side view with both tarpaulins in position with front flap open.

Floor area with front tarpaulin flap open 5.2 m x 3.2 m	16.6 sq m
--	-----------

Floor area with front tarpaulin flap closed 4.1 m x 3.2 m	13.1 sq m
--	-----------



5.2 m

3.5 m

2.0 m

2.3 m

SIDE VIEW

SCALE = 1 : 31.75

