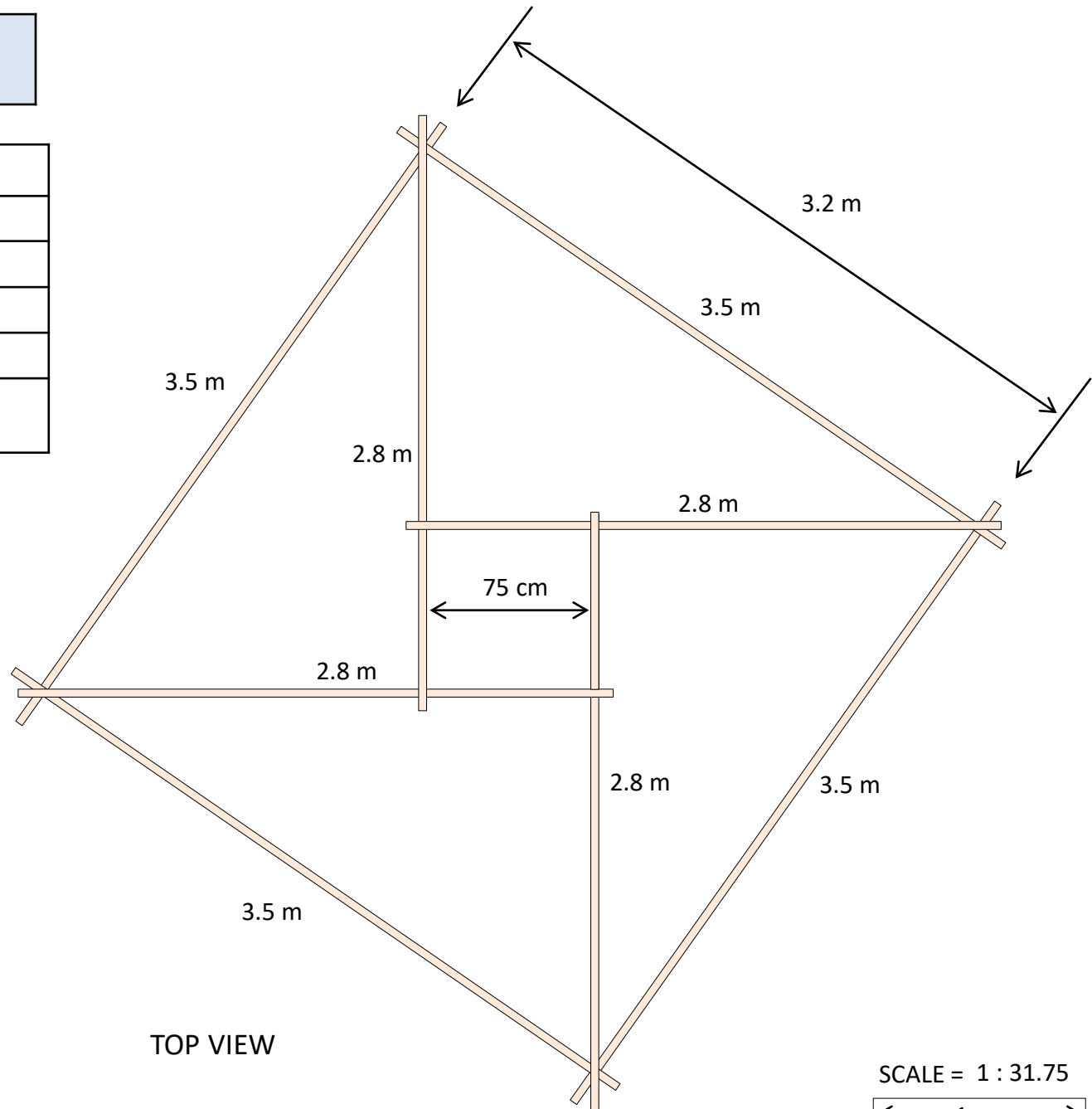


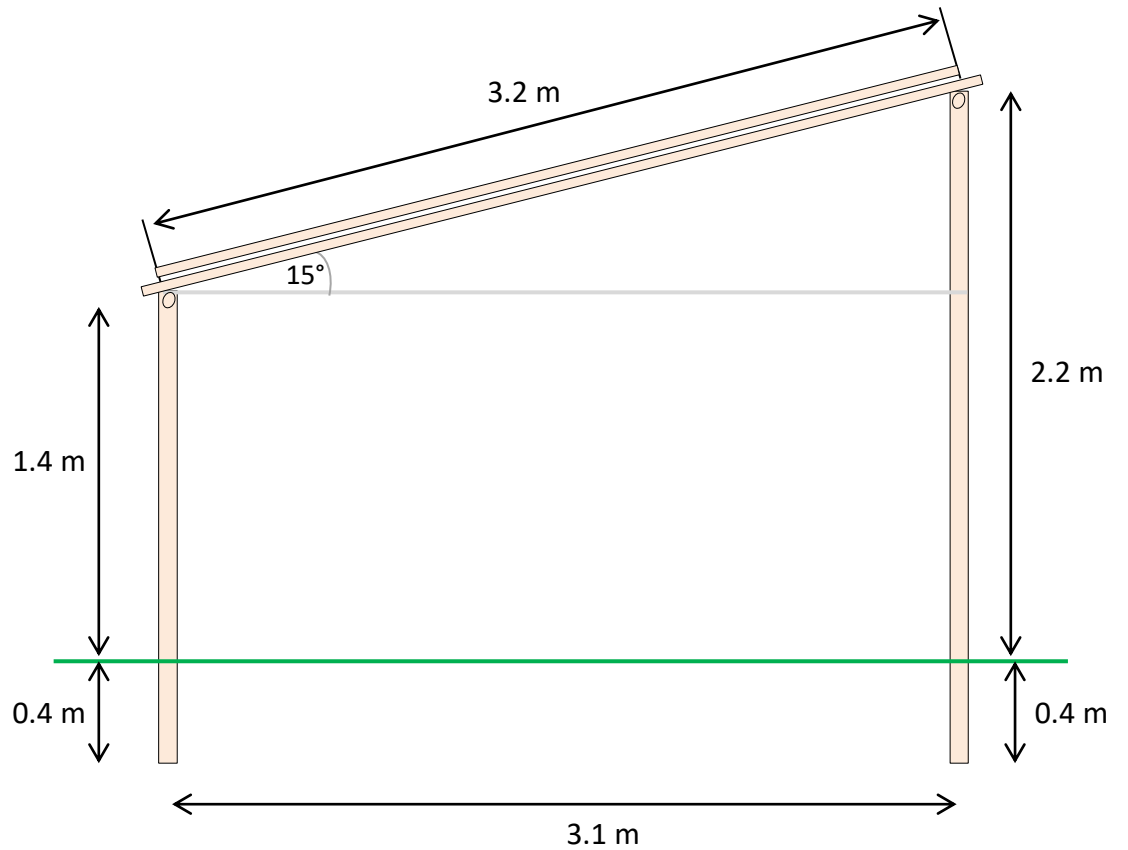
SINGLE ELEVATED RSK
Roof frame

| | |
|-----------------------|--------------------------|
| Frame poles | 2.8 m |
| Side poles | 3.5 m |
| Inside centre frame | 75 cm |
| Overlap central frame | 5 cm |
| Frame width | 3.2 m |
| Bamboo diameter | 4.5 cm (3 cm to 5 cm) |



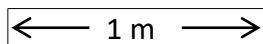
SINGLE ELEVATED RSK

| | |
|--------------------------|---------------|
| Bamboo diameter posts | 6 cm to 10 cm |
| Short support posts | 1.8 m |
| Long support posts | 2.6 m |
| Roof incline | 15 degrees. |
| Floor area 3.1 m x 3.2 m | 9.92 sq. m |
| Floor area with awning | 17.7 sq.m |



SIDE VIEW

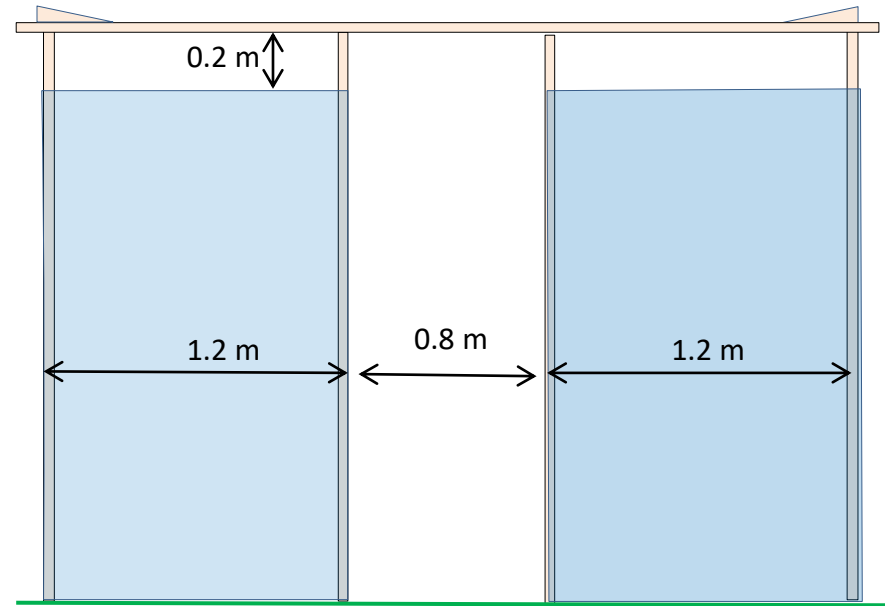
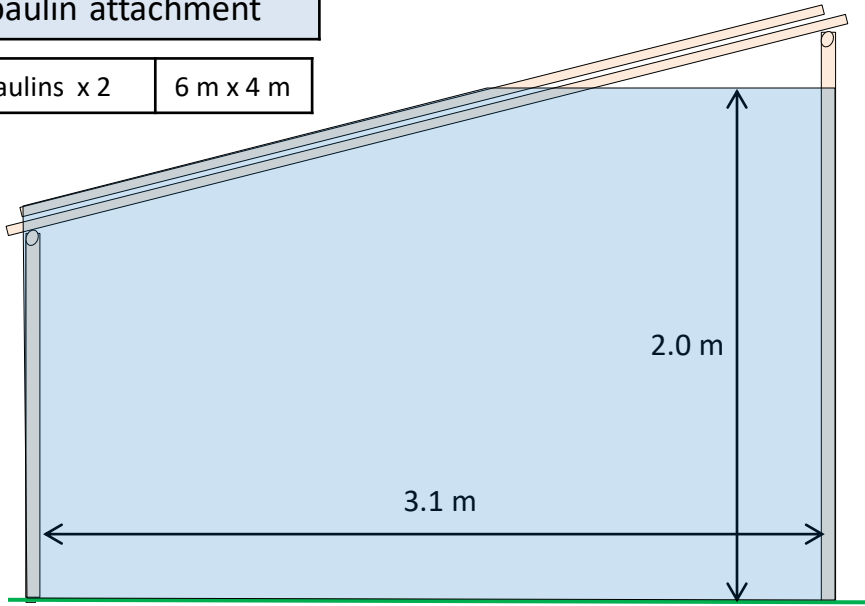
SCALE = 1 : 31.75



SINGLE ELEVATED RSK Tarpaulin attachment

Tarpaulins x 2 6 m x 4 m

Copies of all or part of this study may be made for non-commercial use providing the source is acknowledged.
© 2019 SHAUN HALBERT ALL RIGHTS RESERVED.

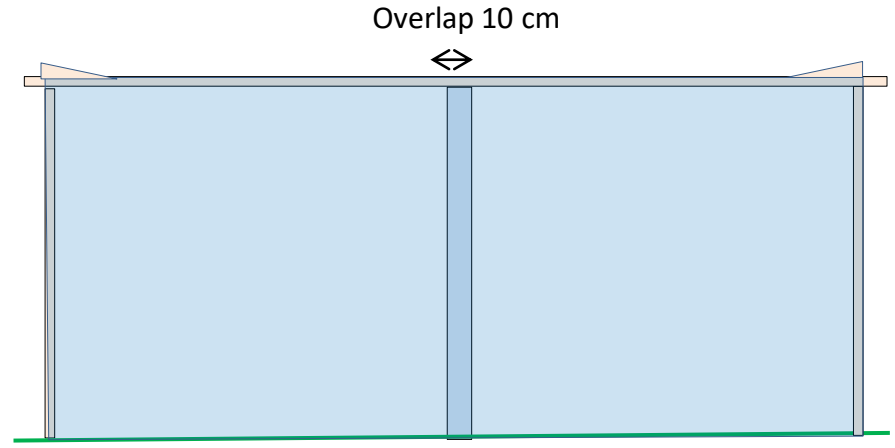
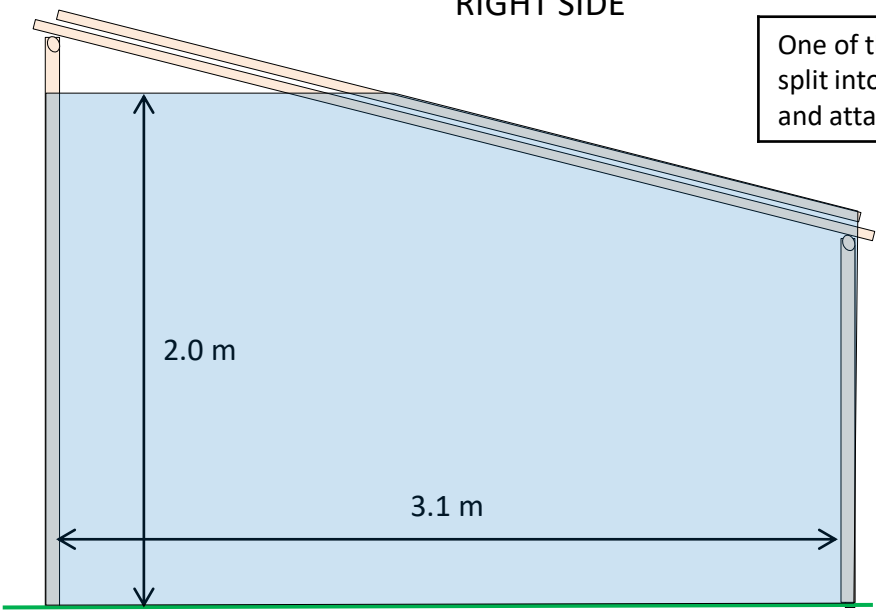


RIGHT SIDE

FRONT

One of the 6 m x 4 m tarpaulin is split into two lengths of 6 m x 2 m and attached to make the walls.

SCALE = 1 : 31.75
← 1 m →



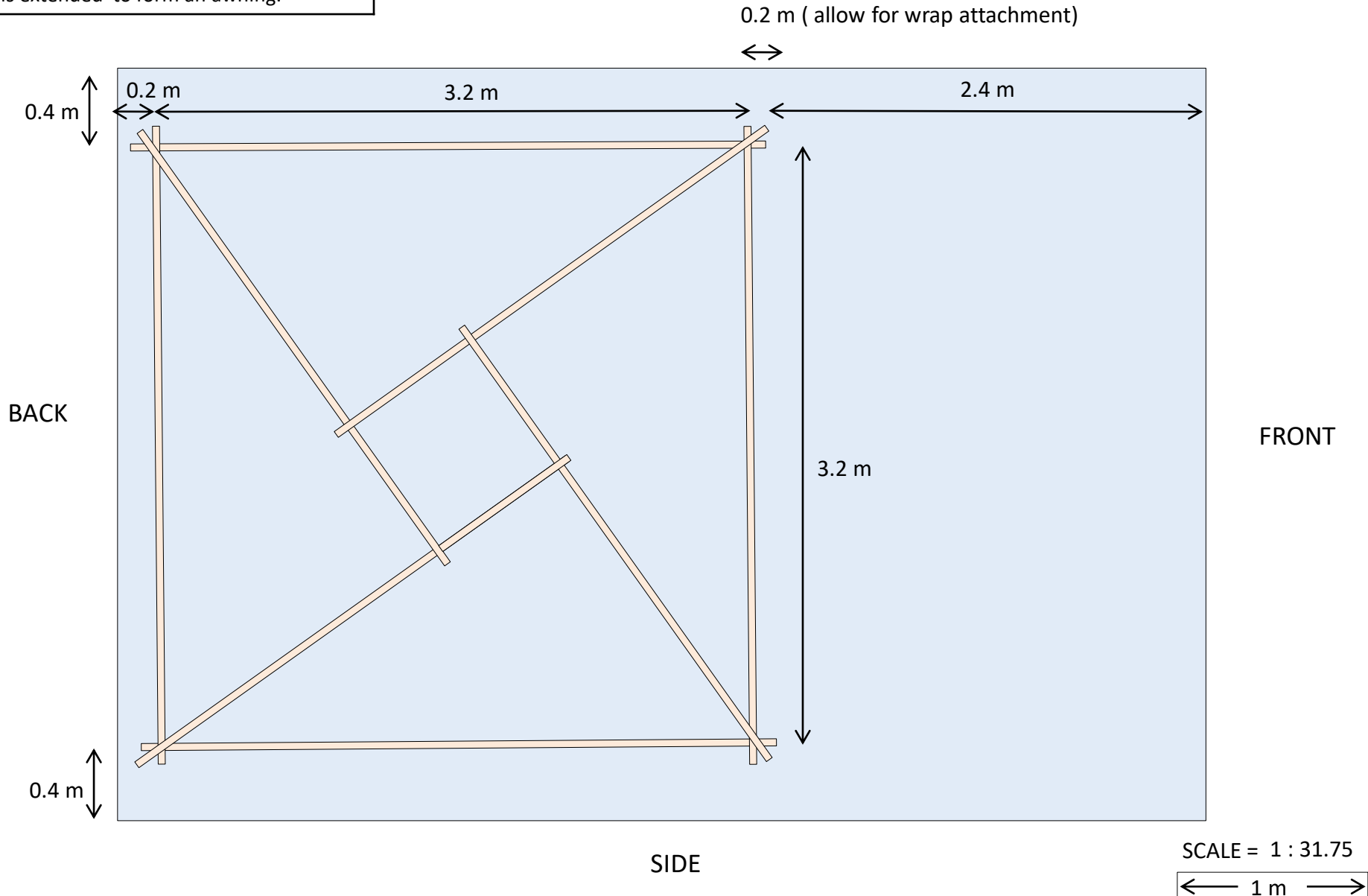
LEFT SIDE

BACK

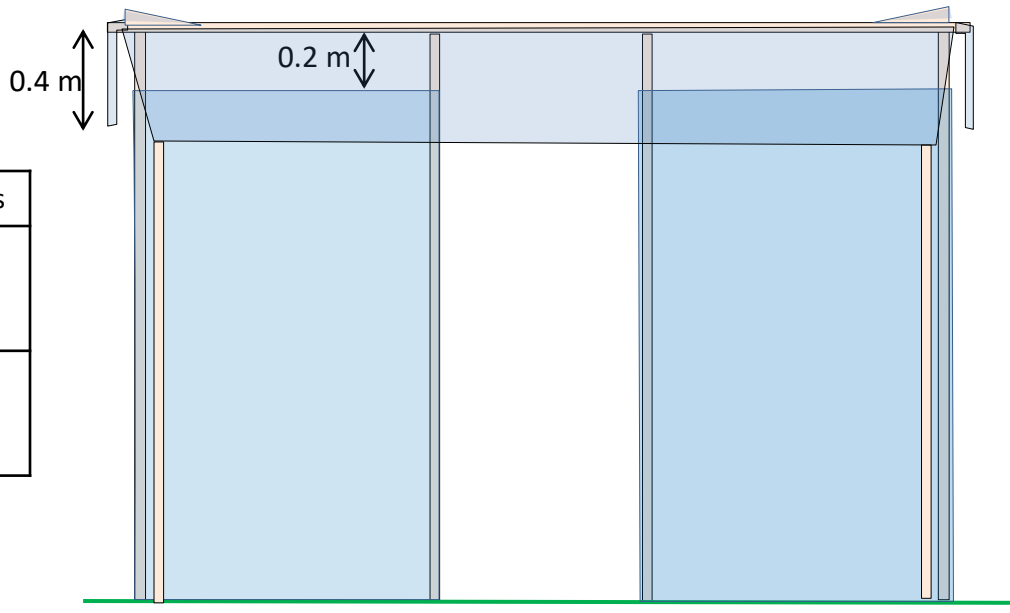
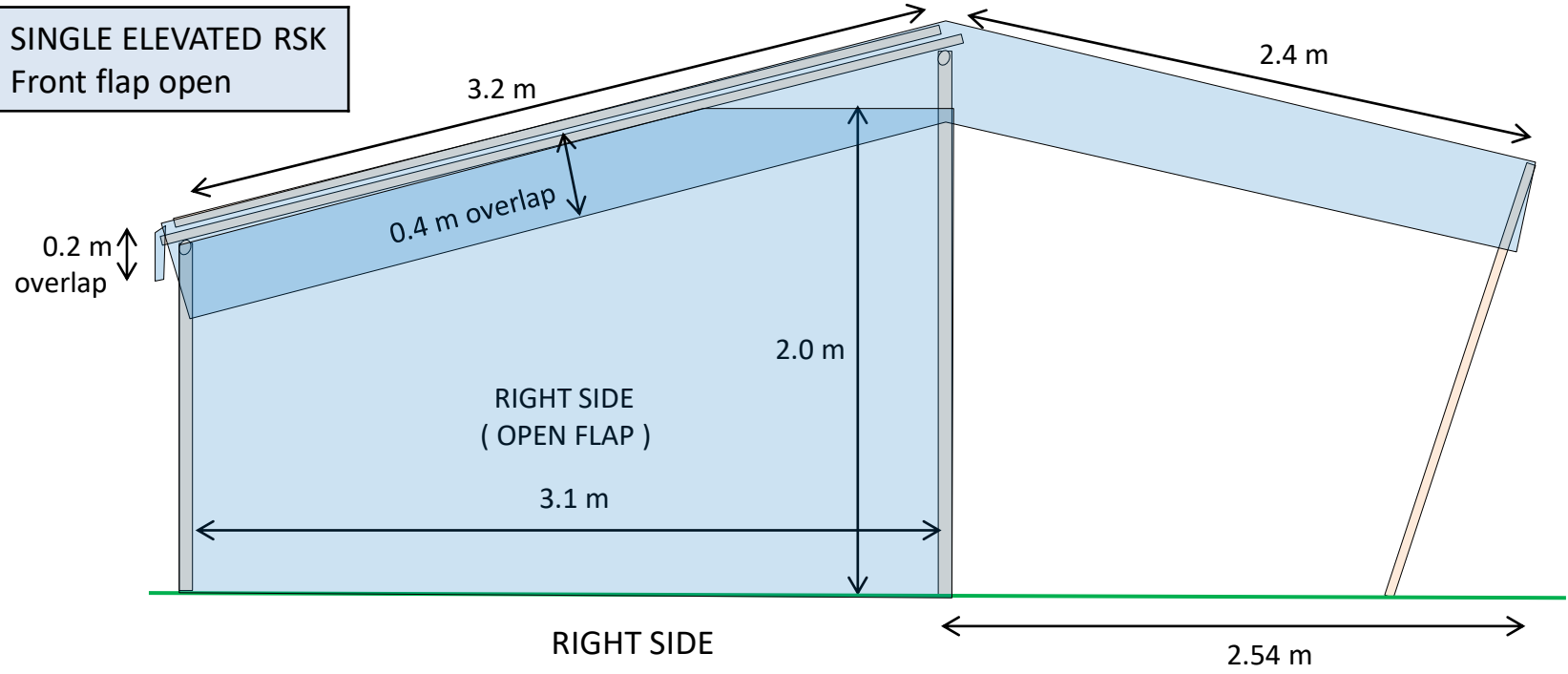
SINGLE ELEVATED RSK

A single 6 m x 4 m tarpaulin is attached to the roof. The 2.4 m flap at the front is extended to form an awning.

Copies of all or part of this study may be made for non-commercial use providing the source is acknowledged.
© 2019 SHAUN HALBERT ALL RIGHTS RESERVED.



SINGLE ELEVATED RSK
Front flap open

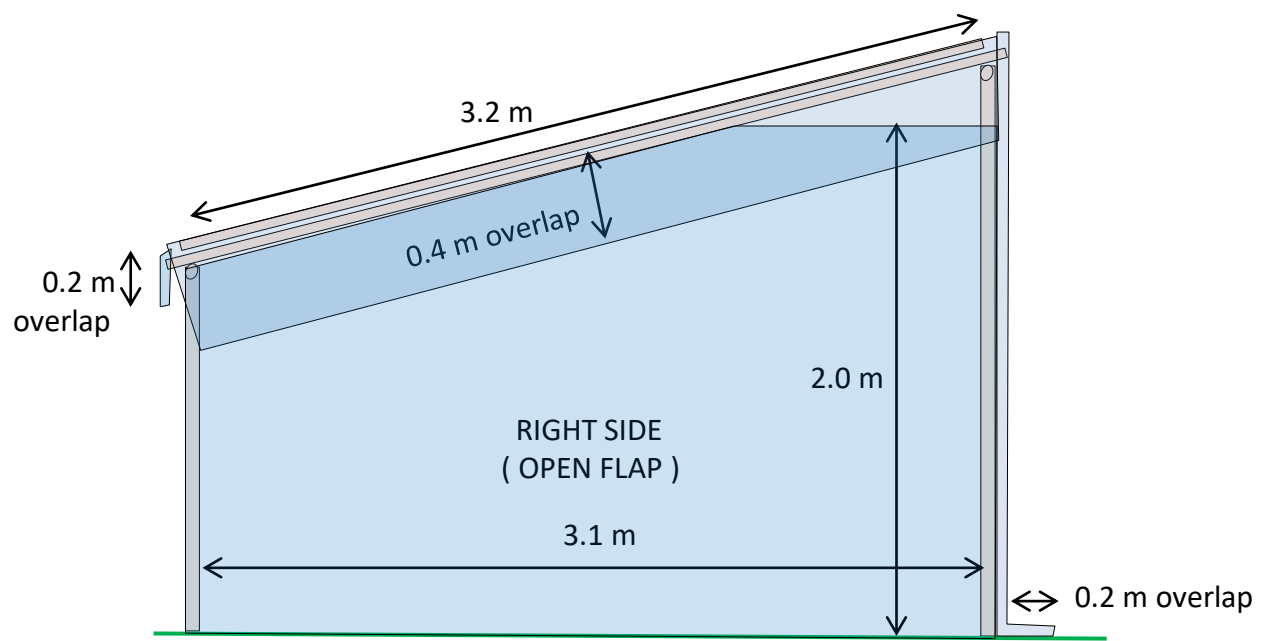


| | |
|---|------------|
| Roof incline | 15 degrees |
| Floor area flap closed 3.1 m x 3.2 m | 9.92 sq. m |
| Floor area flap opened up 5.6 m x 3.2 m | 17.9 sq. m |

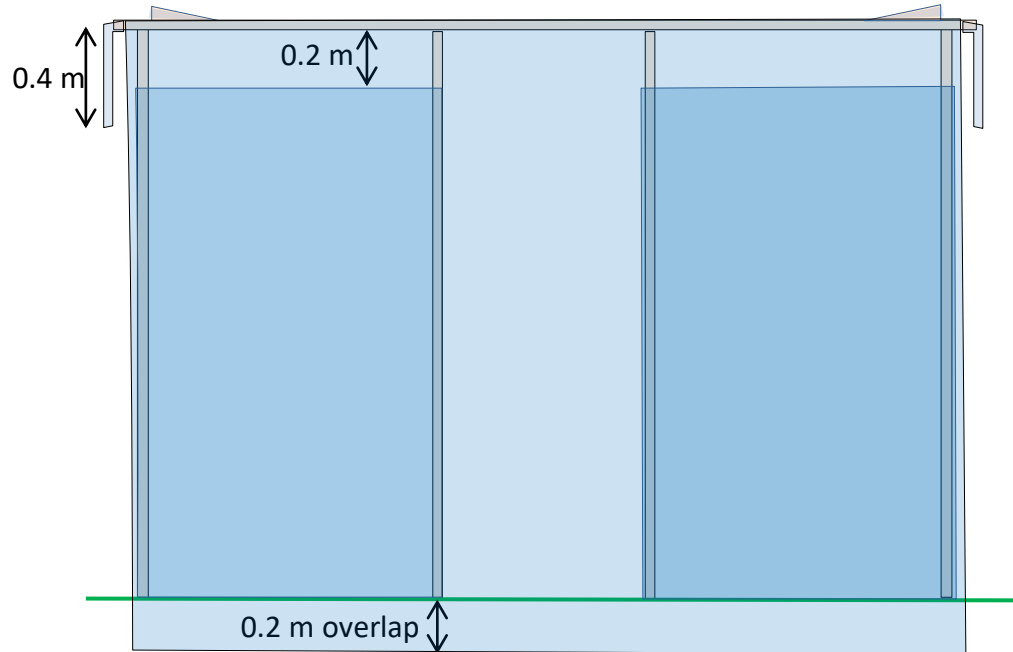
SCALE = 1 : 31.75

← 1 m →

SINGLE ELEVATED RSK
Front flap closed



RIGHT SIDE



FRONT

SCALE = 1 : 31.75

